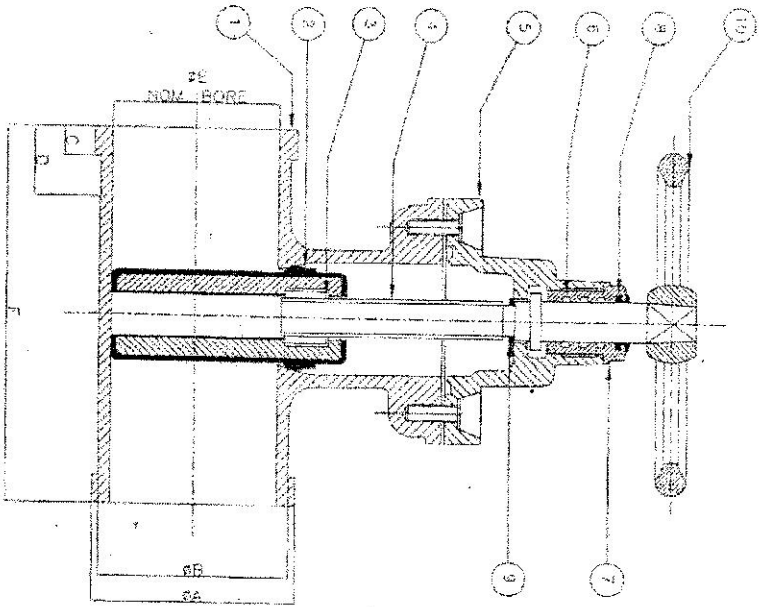


RESILIENT SEATED GATE VALVE - SHOULDERED ENDS



DIMENSIONS						
Sno	DIA	A	B	C	D	E F
1	DN 100	122.2	114.3	17.5	42	100 229
2	DN 150	175.1	165.1	17.5	56	150 267
3	OD 101	108	101.6	15.5	86	95 142
4	OD 152	161	152.4	18.5	133	145 200

All dimensions in mm

MATERIAL OF CONSTRUCTION

Sr.	Name of Part	No.	Material
10	HAND WHEEL	1	D.I.
9	BACK SEAT	1	EPDM
8	STEM SEAL	1	EPDM
7	GLAND	1	BRASS
6	STEM SEAL	-	EPDM
5	BONNET	1	D.I.
4	STEM	1	STAINLESS STEEL
3	STEM NUT	1	BRASS
2	GATE	1	D.I. / EPDM COATED
1	BODY	1	D.I.

RESILIENT SEATED GATE VALVE - SHOULDERED ENDS

DRG. NO.: 594 FK-0400C/D

Checked by: Prepared by:

TECHNICAL DATA:

ALLOWABLE OPERATING PRESSURE : 3.5 MPa
 MAXIMUM TEMPERATURE : 40° C
 END CONNECTION : SHOULDERED SPIGOT